

# Nitrogen Pressure Regulator Valves



Typical Nitrogen Pressure Regulator.

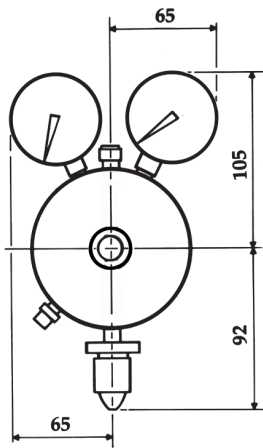
Gauges will vary depending on pressure requirement.

## Specification

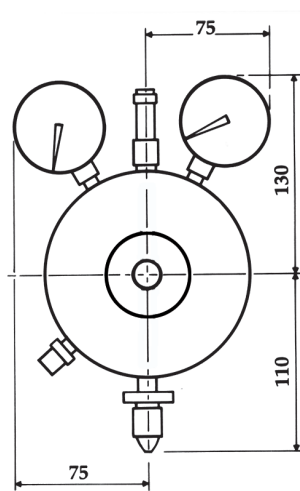
OLAER Fawcett Christie Nitrogen Pressure Regulator Valves have been introduced to assist users of hydraulic accumulators during the operation of nitrogen precharging.

Fitted onto the nitrogen bottle, these valves offer both increased levels of safety and greater convenience, regulating the gas outlet pressure to the required precharge pressure.

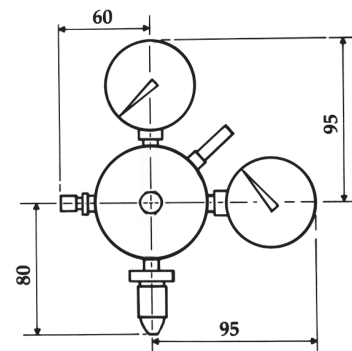
Always use a nitrogen regulator when the pressure rating of the accumulator is lower than the gas pressure in the nitrogen cylinder.



Part Number:	50203-099
Precharged Outlet Pressure:	0 - 10 bar
Inlet Pressure:	230 bar (max.)



Part Number:	50204-099
Precharged Outlet Pressure:	0 - 42 bar
Inlet Pressure:	230 bar (max.)



Part Number:	50205-099
Precharged Outlet Pressure:	0-100 bar
Inlet Pressure:	230 bar (max.)

Part Number:	50206-099
Precharged Outlet Pressure:	0-170 bar
Inlet Pressure:	230 bar (max.)