

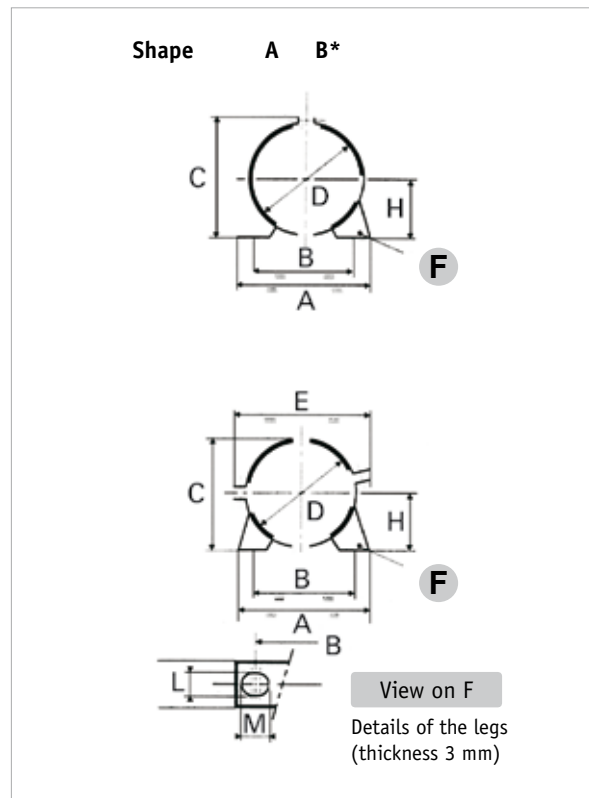
Euro Clamps & Brackets



Specification

Clamps

- Carbon steel construction protected to resist corrosion
- European standard dimensions for ease of interchangeability.
- Rubber insert provided to reduce mechanical vibration and to compensate for shell manufacturing tolerances.
- Supplied without foot mounting bolts.

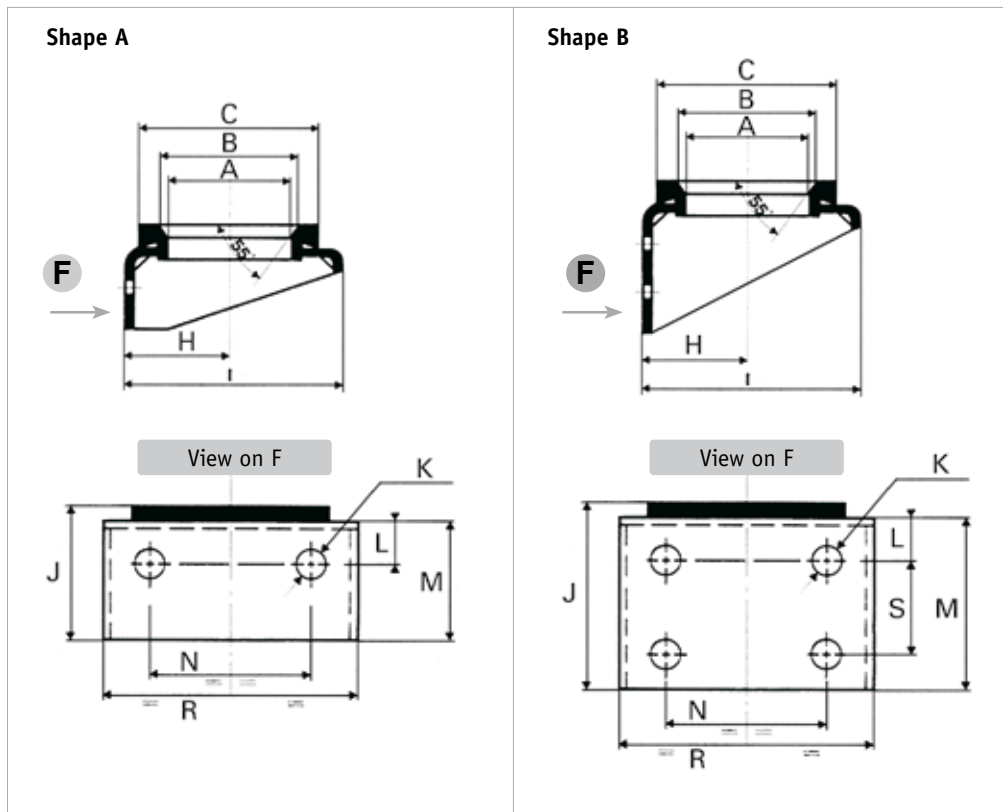


Dimensions clamps

Part Number	Model Number	Shape	Dimensions								
			Dia 'D'	H	A	B	C	E	K	L	M
201492-03625	A 56	A	56	36	134	97	92	-	30	9	14
201497-04725	B 90	B	90	53	134	97	127	-	30	9	14
200570-03625	B 114*	B	114	76	138	100	159	-	30	9	14
201270-03625*	B 121	B	121	73	138	100	164	-	30	9	14
201267-03625*	C 168	C	168	92	188	148	181	230	40	9	14
202310-03625*	D 226	D	226	123	270	216	241	290	40	15	21

* Recommended in case of strong vibrations and also for steel works applications

Brackets



Dimensions brackets

Part Number	Model Number	Shape	Dimensions											Weight	
			A	B	C	H	I	J	K	L	M	N	R		S
201519-03620	CE 89	A	89	101	125	73	140	75	13	25	60	75	130	-	0.8
201187-03620	CE 108	A	108	120	150	92	175	95	17	25	80	160	210	-	1.5
201090-03620	CE 159	B	159	170	200	123	235	115	17	25	100	200	260	40	2.5