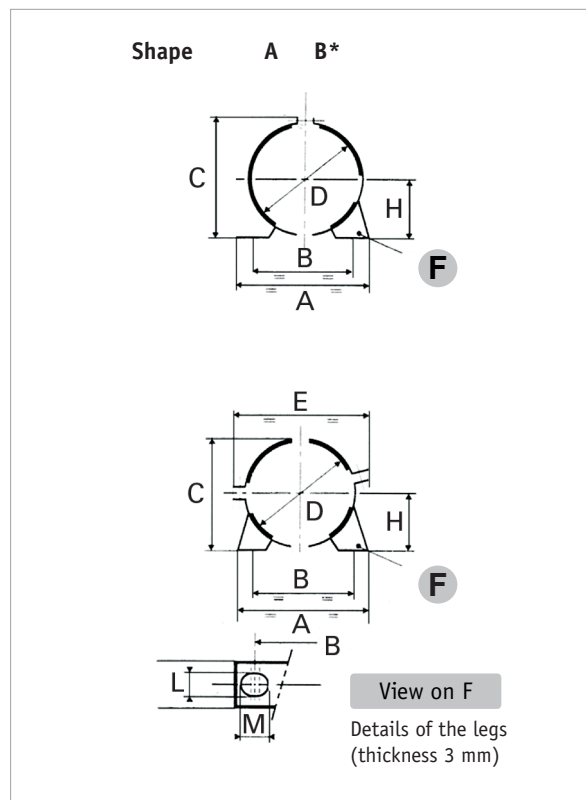


# Euro Clamps & Brackets

## Specifications

### Clamps

- Carbon steel construction protected to resist corrosion
- European standard dimensions for ease of interchangeability.
- Rubber insert provided to reduce mechanical vibration and to compensate for shell manufacturing tolerances.
- Supplied without foot mounting bolts.

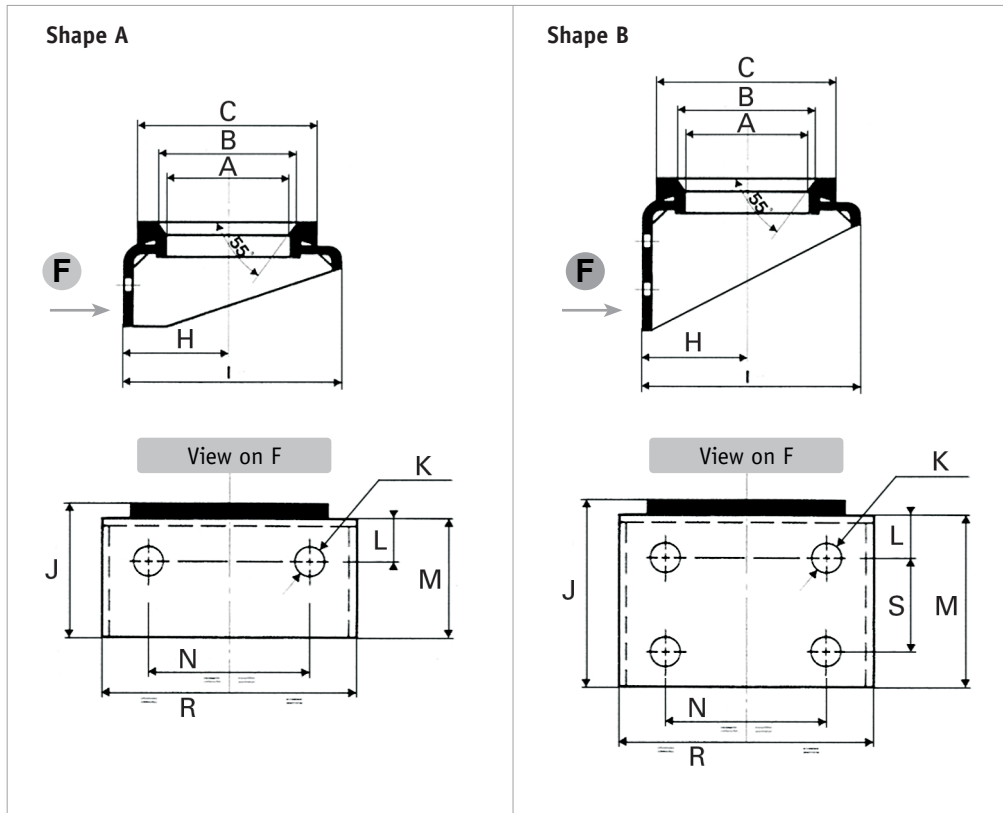


## Dimensions clamps

| Part Number   | Model Number | Shape | Dimensions |     |     |     |     |     |    |    |    |
|---------------|--------------|-------|------------|-----|-----|-----|-----|-----|----|----|----|
|               |              |       | Dia 'D'    | H   | A   | B   | C   | E   | K  | L  | M  |
| 201492-03625  | A 56         | A     | 56         | 36  | 134 | 97  | 92  | -   | 30 | 9  | 14 |
| 201497-04725  | B 90         | B     | 90         | 53  | 134 | 97  | 127 | -   | 30 | 9  | 14 |
| 200570-03625  | B 114*       | B     | 114        | 76  | 138 | 100 | 159 | -   | 30 | 9  | 14 |
| 201270-03625* | B 121        | B     | 121        | 73  | 138 | 100 | 164 | -   | 30 | 9  | 14 |
| 201267-03625* | C 168        | C     | 168        | 92  | 188 | 148 | 181 | 230 | 40 | 9  | 14 |
| 202310-03625* | D 226        | D     | 226        | 123 | 270 | 216 | 241 | 290 | 40 | 15 | 21 |

\* Recommended in case of strong vibrations and also for steel works applications

Brackets



Dimensions brackets

| Part Number  | Model Number | Shape | Dimensions |     |     |     |     |     |    |    |     |     |     |    |        |
|--------------|--------------|-------|------------|-----|-----|-----|-----|-----|----|----|-----|-----|-----|----|--------|
|              |              |       | A          | B   | C   | H   | I   | J   | K  | L  | M   | N   | R   | S  | Weight |
| 201519-03620 | CE 89        | A     | 89         | 101 | 125 | 73  | 140 | 75  | 13 | 25 | 60  | 75  | 130 | -  | 0.8    |
| 201187-03620 | CE 108       | A     | 108        | 120 | 150 | 92  | 175 | 95  | 17 | 25 | 80  | 160 | 210 | -  | 1.5    |
| 201090-03620 | CE 159       | B     | 159        | 170 | 200 | 123 | 235 | 115 | 17 | 25 | 100 | 200 | 260 | 40 | 2.5    |