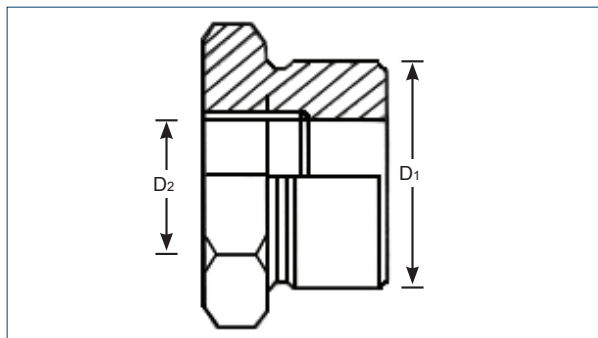
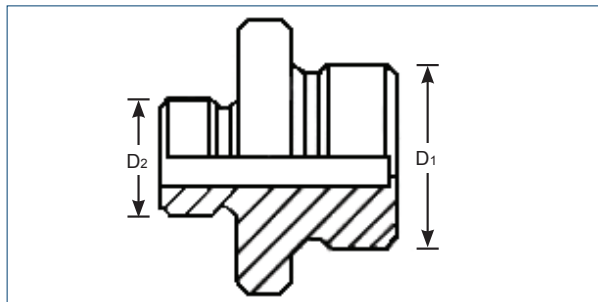


# Adaptors & Bonded Seals



## Male/Female Adaptor (BSP/NPT)

Part Number	D1	D2
50420-***	G 2	1/4" NPT
50218-***	G 2	3/8" NPT
50069-***	G 2	1/2" NPT
50070-***	G 2	3/4" NPT
50071-***	G 2	1" NPT
50072-***	G 2	1 1/4" NPT
50073-***	G 2	1 1/2" NPT
51112-***	G1 1/2	1/4" NPT
51113-***	G1 1/2	3/8" NPT
51114-***	G1 1/2	1/2" NPT
50301-***	G1 1/2	3/4" NPT
51115-***	G1 1/2	1" NPT
50276-***	G1 1/2	1 1/4" NPT
51116-***	G1 1/4	1/4" NPT
50804-***	G1 1/4	3/8" NPT
50066-***	G1 1/4	1/2" NPT
50067-***	G1 1/4	3/4" NPT
50068-***	G1 1/4	1" NPT
50101-***	G 1	1/4" NPT
50225-***	G 1	3/8" NPT
50064-***	G 1	1/2" NPT
50065-***	G 1	3/4" NPT
51021-***	G 3/4	1/4" NPT
50274-***	G 3/4	3/8" NPT
50287-***	G 3/4	1/2" NPT
51117-***	G 1/2	1/4" NPT
51118-***	G 1/2	3/8" NPT
51119-***	G 3/8	1/4" NPT

\*\*\* = V10 (Carbon Steel)  
 \*\*\* = 006 (Stainless Steel)

## Specification

### Capabilities

A range of adaptors which enables the accumulator fluid port and/or safety block to be connected onto standard bore pipelines simply and effectively is available. Required bonded seals are shown in the tables and should be ordered separately.

### Male/Female Adaptor (BSP/NPT)

Part Number	D1	D2
51021-***	G 3/4 M	1/4" NPT F
50274-***	G 3/4 M	3/8" NPT F
50287-***	G 3/4 M	1/2" NPT F
51116-***	G1 1/4 M	1/4" NPT F
50804-***	G1 1/4 M	3/8" NPT F
50066-***	G1 1/4 M	1/2" NPT F
50067-***	G1 1/4 M	3/4" NPT F
50068-***	G1 1/4 M	1" NPT F
50420-***	G 2 M	1/4" NPT F
50218-***	G 2 M	3/8" NPT F
50069-***	G 2 M	1/2" NPT F
50070-***	G 2 M	3/4" NPT F
50071-***	G 2 M	1" NPT F
50072-***	G 2 M	1 1/4" NPT F
50073-***	G 2 M	1 1/2" NPT

### Male/Male Adaptor (BSP/BSP)

Part Number	D1	D2
50304-***	G1 1/4" M	G1" M
50716-***	G1 3/4" M	G 1/2" M
50715-***	G1" M	G 1/2" M
50713-***	G1 1/4" M	G 1/2" M
50053-***	G1 3/4" M	G 3/4" M
50714-***	G1" M	G 3/4" M
50712-***	G1 1/4" M	G 3/4" M
50711-***	G2" M	G 3/4" M
50054-***	G1" M	G1" M
50055-***	G1 1/4" M	G1 1/4" M
50056-***	G2" M	G2" M
52012-***	G2" M	G1 1/4" M
50454-***	G2" M	G 1/2" M

### Male/Female Adaptor (BSP/BSP)

Part Number	D1	D2
50036-***	G1 1/4" M	G1/4" F
50037-***	G1 1/4" M	G3/8" F
50038-***	G1 1/4" M	G1/2" F
50039-***	G1 1/4" M	G5/8" F
50040-***	G1 1/4" M	G3/4" F
50033-***	G2" M	G1/4" F
50015-***	G2" M	G3/8" F
50042-***	G2" M	G1/2" F
50043-***	G2" M	G3/4" F
50044-***	G2" M	G1" F
50045-***	G2" M	G1 1/4" F
50046-***	G2" M	G1 1/2" F

The information in this datasheet is subject to change without prior notice.

**Bonded seals**

Part Number	Description
40501-***	G1/4"
40502-***	G3/8"
40503-***	G1/2"
40505-***	G3/4"
40507-***	G1"
40508-***	G1 1/4"
40509-***	G1 1/2"
40511-***	G2"

\*\*\* = A97 (Carbon steel/ Nitrile)

\*\*\* = A98 (Stainless steel/ Nitrile)

Note: 'G' is equivalent to BSP

*Other adaptor variations available please contact us for further details.*